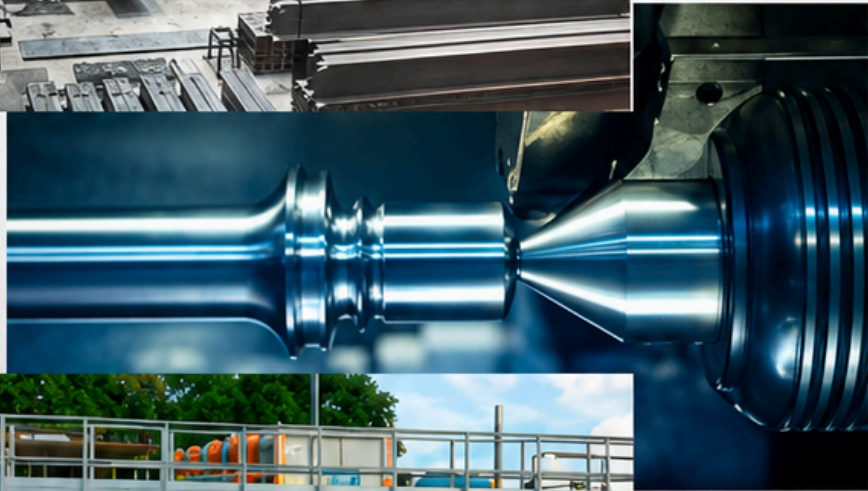
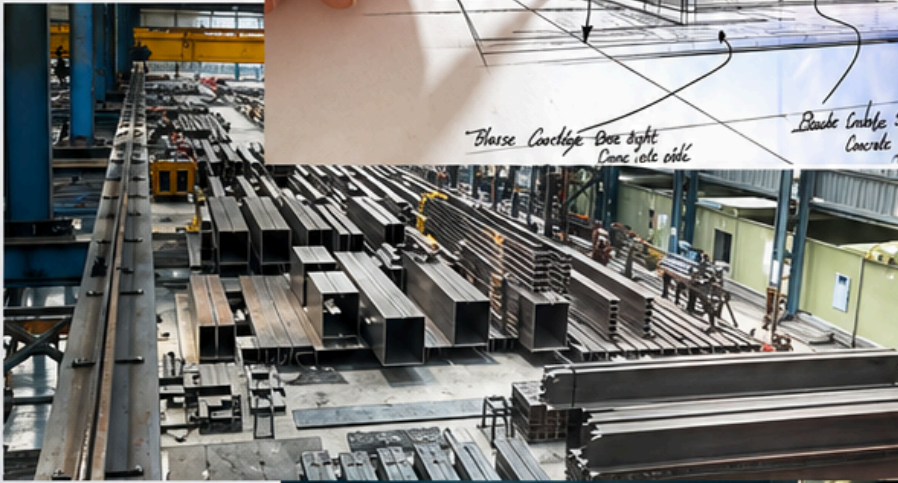
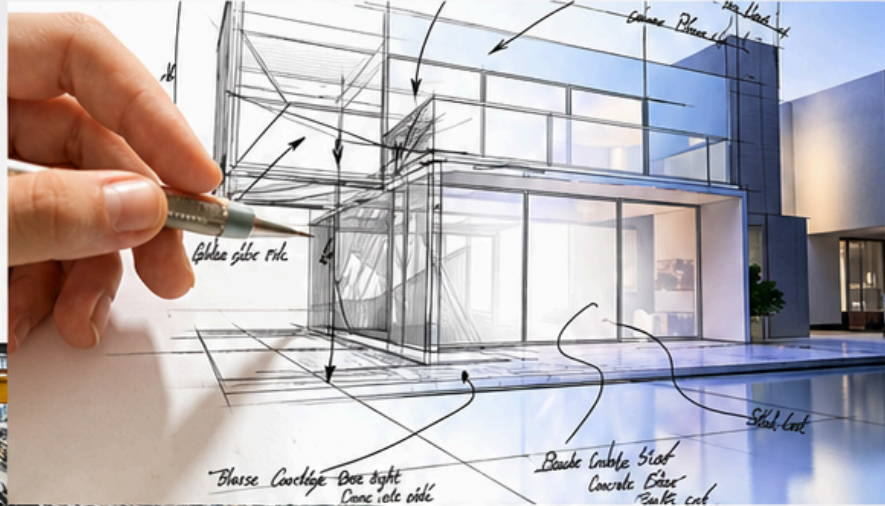




VEERAPATRA ENTERPRISES



OVERVIEW:

With over 21 years of expertise, we specialize in manufacturing heavy and customized structures, mechanical components, and delivering precision machining services for diverse industrial projects. Our core strength lies in the supply of Heavy Structures, Process equipments, Precast molds, PEP structures, and mechanical components

We are offering the following Services,

- Custom design support for Mechanical structure and components.
- End to End Manufacturing Services of Industrial steel buildings, Process equipment and Structural fabrication works.
- Sheet metal forming.
- Precision machining Works.
- Casting and Stamping

MISSION:

"We strive to fulfill customer needs by ensuring efficiency, quality and on-time delivery at optimal cost."

VISION:

Harnessing advanced manufacturing technologies to achieve engineering marvels with uncompromising precision, unwavering quality and zero tolerance in safety empowering stakeholders to live meaningful lives and contributing to a sustainable, progressive global society.

CUSTOM DESIGN

Introduction

In today's fast-paced industrial and infrastructure landscape, steel structures play a vital role in ensuring durability, efficiency and cost-effectiveness. Our Steel Structure and Equipment Design Services are dedicated to delivering high-quality, innovative and reliable solutions tailored to meet diverse project requirements across industries.

We specialize in the design, analysis, and detailing of structural steel systems and industrial equipment, ensuring compliance with international standards and client-specific needs. With a strong focus on precision engineering and modern design tools, we provide solutions that enhance structural integrity, optimize material usage, and streamline construction processes.

Our Expertise

Our team of experienced engineers and designers offers comprehensive services, including:

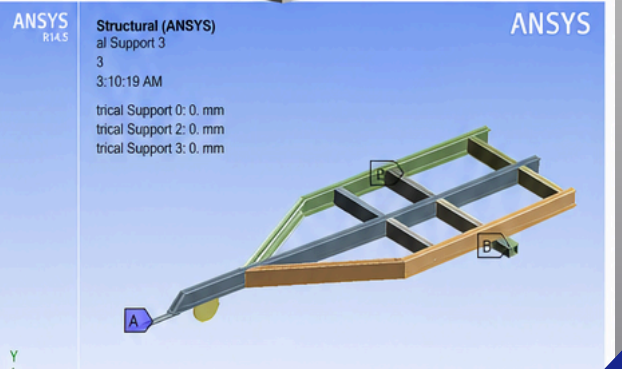
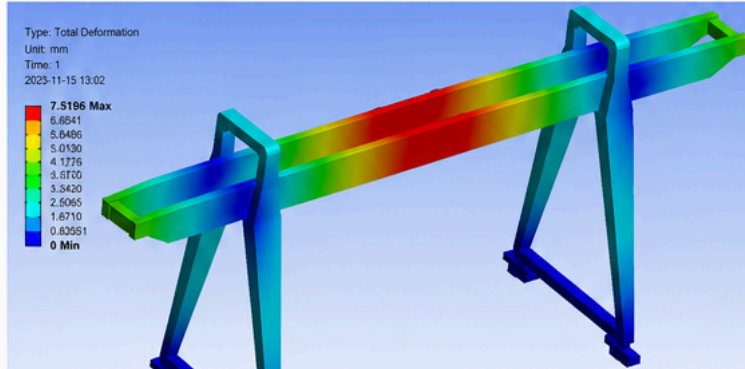
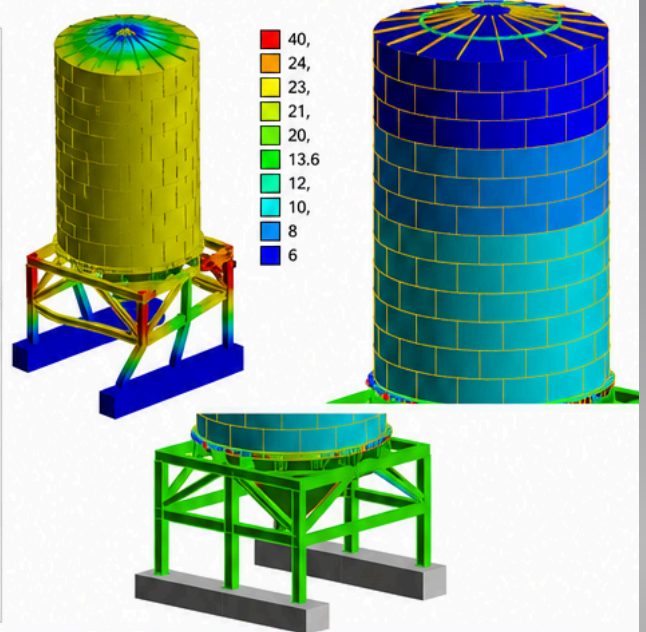
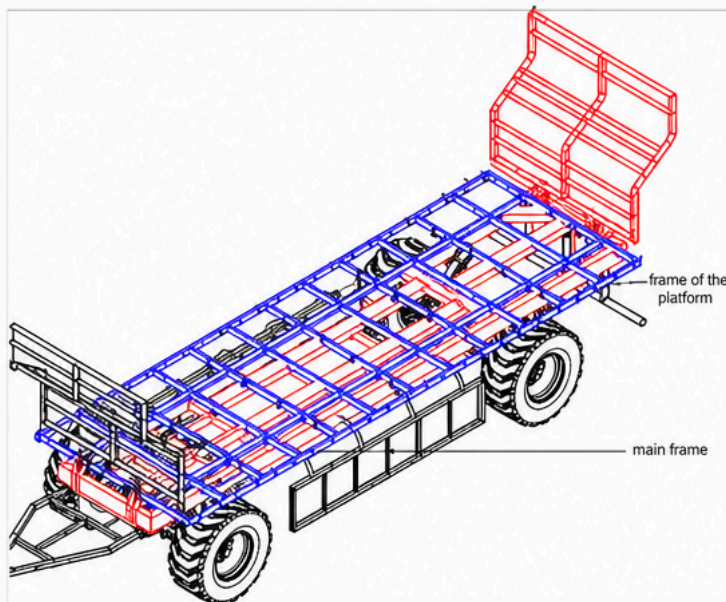
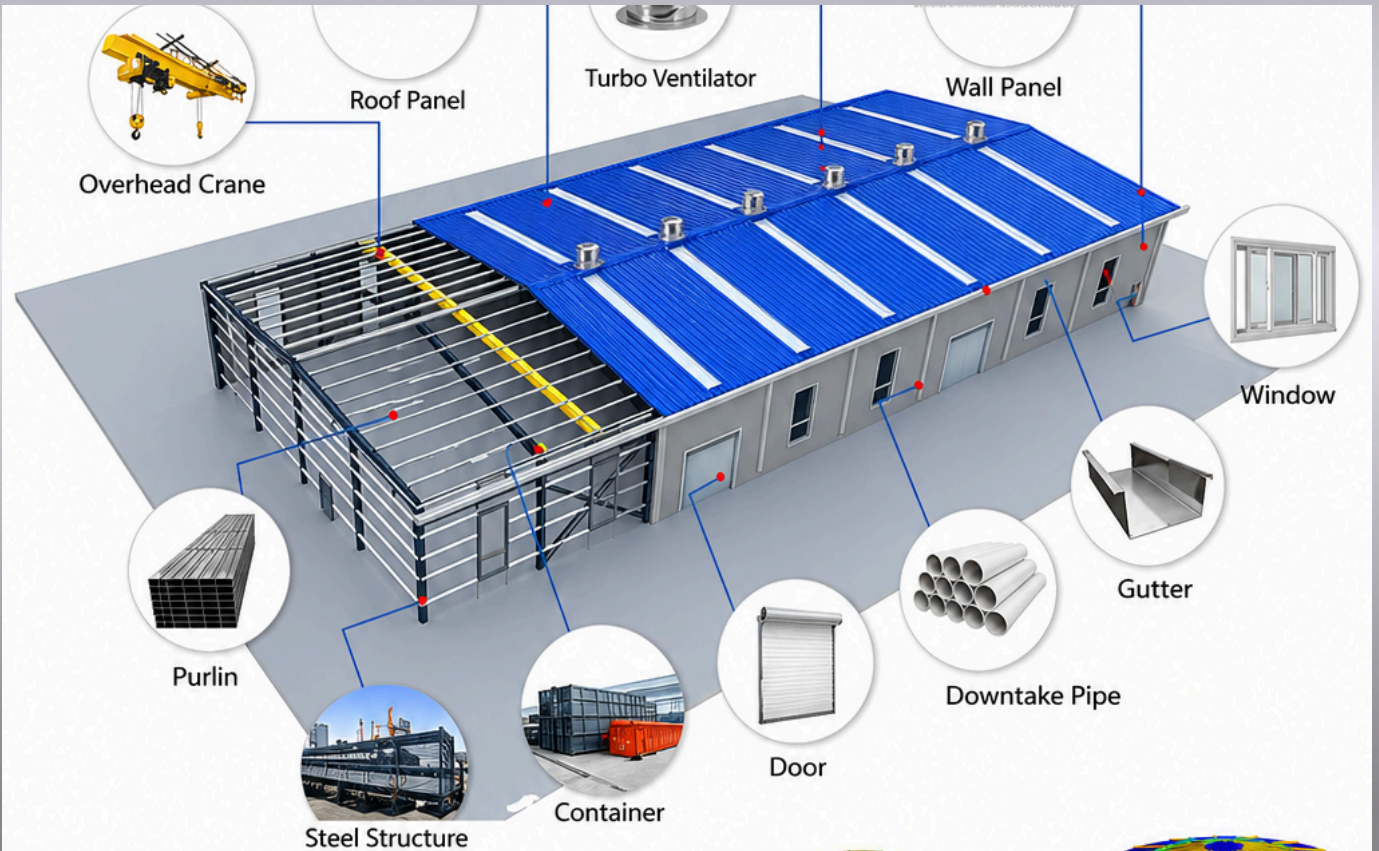
- Structural Steel Design.
- Design of industrial buildings, warehouses, platforms, pipe racks and support structures.
- Equipment Design & Integration.
- Custom design of industrial equipment and seamless integration with structural systems.
- Detailing & Drafting.
- Accurate fabrication drawings, 3D modeling and shop detailing for efficient execution.
- Analysis & Optimization.
- Advanced structural analysis to ensure safety, stability and cost optimization.

Why Choose Us

- Commitment to quality and precision
- Use of advanced engineering software and tools
- Adherence to global design codes and standards
- Timely delivery and client-focused approach
- Cost-effective and sustainable design solutions

CUSTOM DESIGN

PEB structures, SILO, trolleys, gantry cranes etc



FABRICATION & INSTALLATION:

Introduction

Steel structure fabrication and installation are essential stages in the successful delivery of modern infrastructure and industrial projects. These processes convert detailed engineering designs into strong, reliable and long-lasting structures through precision manufacturing and systematic on-site assembly.

Our Fabrication and Installation Services are built on a foundation of engineering excellence, advanced technology and strict adherence to recognized codes and standards. We ensure that every component is manufactured with accuracy and installed with safety, efficiency, and quality at the forefront.

Fabrication Process

The fabrication phase involves transforming raw steel into engineered structural components through controlled and quality-driven procedures:

- **Material Selection & Inspection**
Procurement of certified steel materials in accordance with specified grades and standards.
- **Cutting, Forming & Machining**
Precision cutting, drilling, bending, and shaping using advanced CNC and automated systems.
- **Welding & Assembly**
Execution of welding using approved procedures and qualified welders to ensure structural integrity.
- **Surface Treatment**
Shot blasting, priming, painting or galvanizing to improve durability and corrosion resistance.
- **Quality Assurance & Testing**
Dimensional verification and Non-Destructive Testing (NDT) to meet design and safety requirements.

Installation Process:

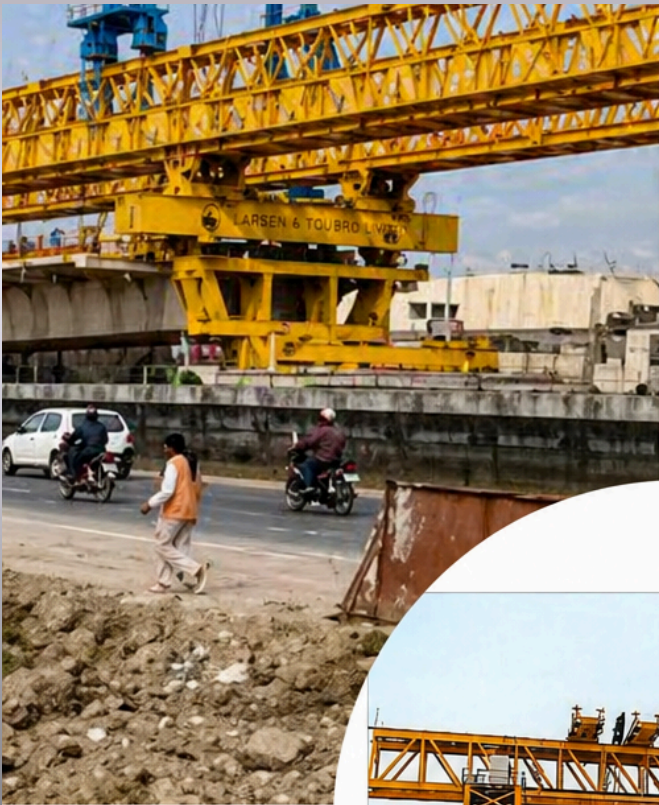
The installation phase ensures accurate and safe assembly of fabricated steel structures at the project site which involves Site Readiness & Planning, Erection & Positioning, Bolting & Welding Connections, Alignment & Leveling, Inspection & Finalization

Our Commitment

- High-precision fabrication with modern technology
- Safe and efficient installation practices
- Compliance with global codes and best practices
- Skilled professionals and certified workforce
- Reliable, durable, and cost-effective solutions

PROJECTS EXECUTED

DMRC Project fabrication & Erection of Launchers, CFT, Viaduct formwork etc



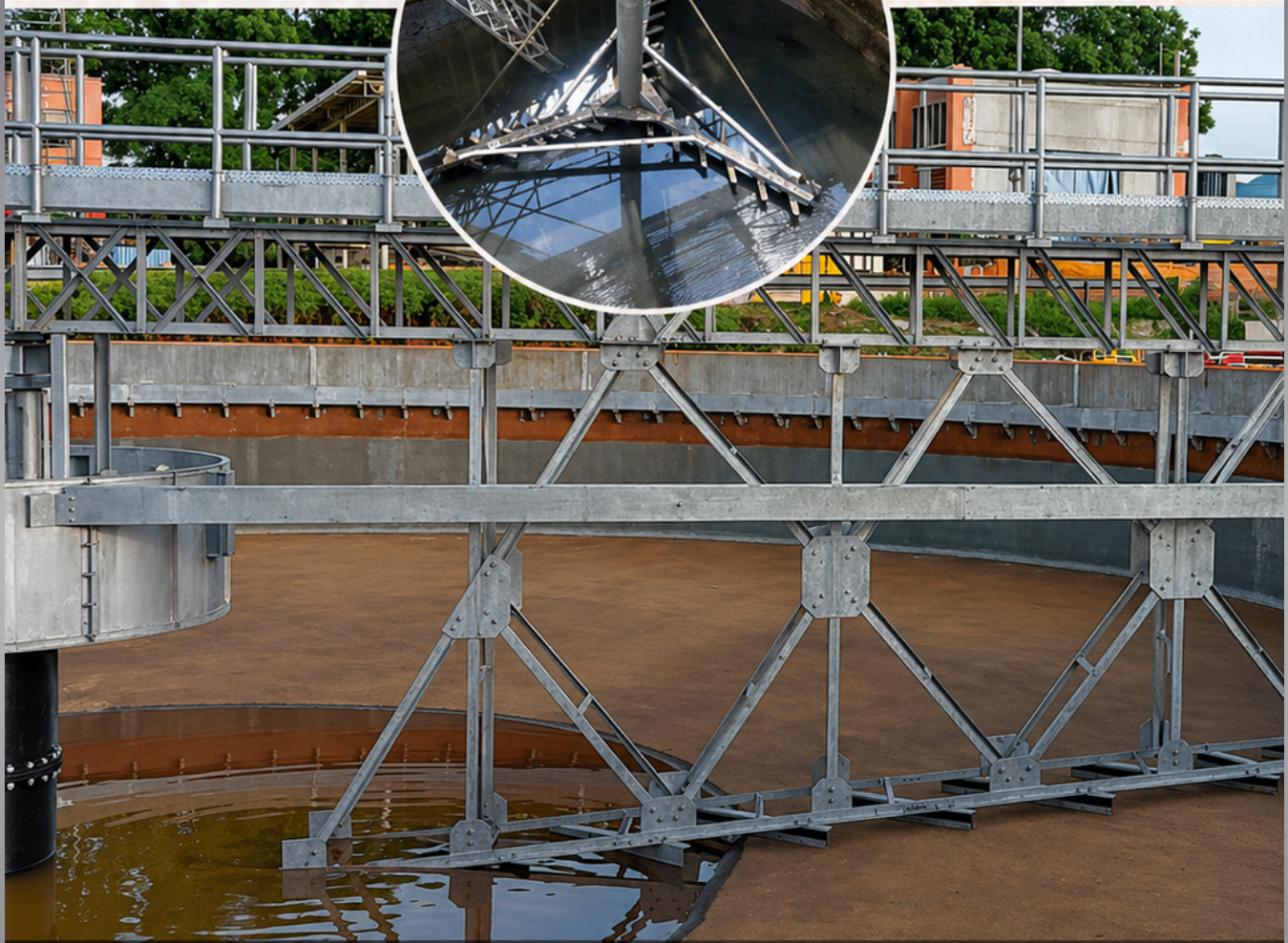
**Global Calcium Pvt ltd, ETP Plant structure fabrication,
Equipment erection and commissioning**



Fabrication of tunnel gantry ,Ribs, Gantry, Steel Girder bridge, PEB structures.



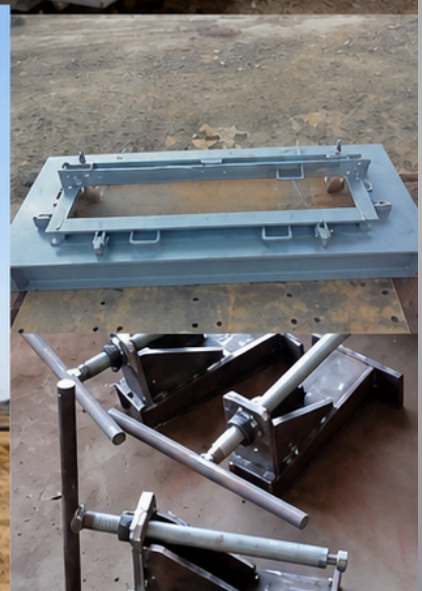
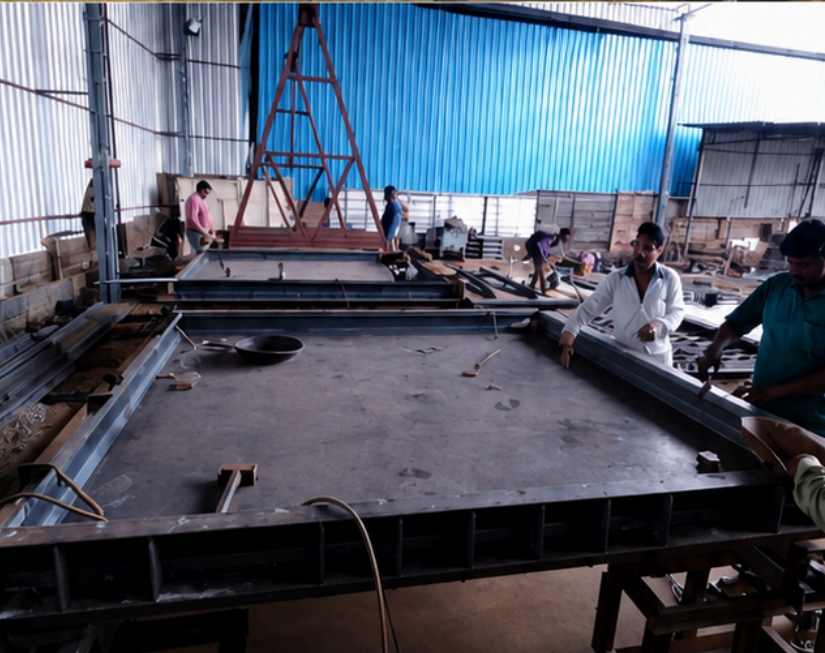
Process Equipments, bridge structure etc.



Fabrication of barges, Piling gantry and frames, Cantilever gantry, Jackup platform components.



PEB, Precast moulds, form traveller, I Girders



CLIENTS:



CONTACT US



www.veerapatra.in



veerapatraenterprises@gmail.com



+91 9390387238 / 9489472799

Registered Address:

VEERAPATRA ENTERPRISES

259/2a, Harini's Aiswaryam Appt,
Ph-2, B4, F2, IAF Road, Srinivasa Nagar,
Selaiyur, Chennai -600073.

GST IN : 33EKRPS0370G1ZX